

**STAINLESS STEEL 304
PRESS FIT FITTINGS
(M PROFILE)**

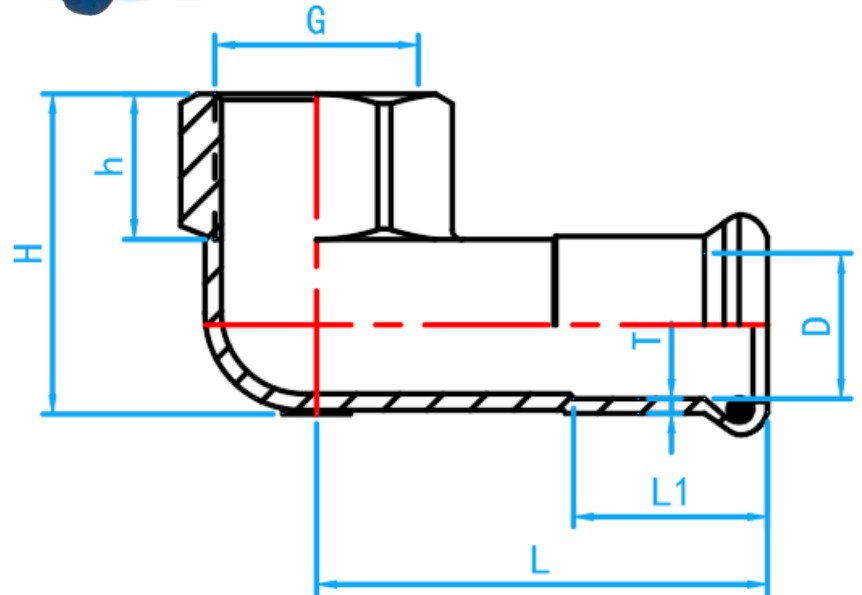
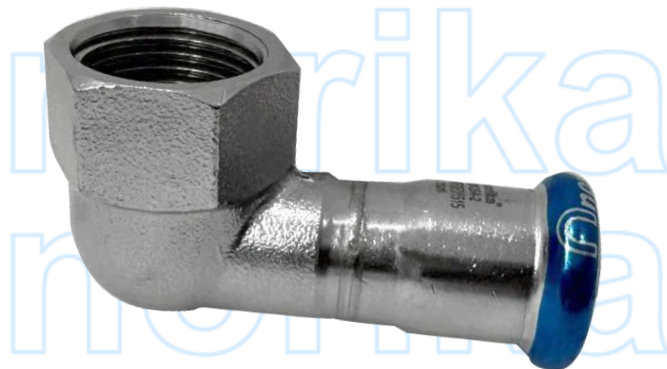
COMPLY WITH BSEN1254-2: 1998



A Product of the nPressGuard[®] Solution



[FIXPF] SHORT ELBOW



SIDE VIEW

STANDARD SPECIFICATION

Working Pressure	16 Bar
Working Temperature	0 ~ 85°C
Applications	Hot and cold potable water system.

DIMENSIONS

SKU	SIZE ID×G (mm x inch)	D (mm)	G (mm)	L (mm)	L1 (mm)	H (mm)	h (mm)	T (mm)	WEIGHT (kg)	PCS/CTN
SSPFNFISE01515	15×1/2" BSP	15	1/2"	46.5	20	33	15.5	1.5	0.071	150
SSPFNFISE02020	22×3/4" BSP	22	3/4"	53.0	21	41	16.0	1.5	0.110	100